



单级双吸水平中开蜗壳式离心泵

SOW

Single-stage Double-sucked
Horizontal Split Helicoid
Centrifugal Pump

C O N T E N T S

目录

产品概述	1
运行数据	1
型号意义	1
水力	1
密封	1
工作条件	1
轴承	1
结构	1
主要零件材质	1
SOW型卧式泵结构图	2
型谱图	3
SOW型泵性能表	4
小知识	10
性能曲线图	11
SOW连接法兰尺寸	20
安装形式	21
主要外形尺寸及安装尺寸	22

产品概述

SOW系列单级双吸泵系水平中开蜗壳式离心泵，主要供输送温度不高于105℃的清水或理化性质类似于水的液体。适用于自来水厂、泵站、电站、空调循环用水、采暖用热水循环、工业供水系统、消防系统、船舶、炼油工业（一般性液体）等输送液体的场合。

运行数据

出口直径：DN=80~500mm
 流量：50~4200m³/h（额定点）
 扬程：H=7.6~160m（额定点）
 许用工作压力：2.5 Mpa；
 许用试验压力：3.75 Mpa
 介质：清水或物理化学性质类似于清水的其它液体（固体颗粒≤80mg/L）。
 温度：≤105℃

型号意义

SOW 150-365 (I) A(B, C)



水力

经优化设计的水力模型，不仅使泵具有优异的水力性能，并且没有轴向力（理论上）这一困扰水泵特别是大型水泵运行的难题。泵体、泵盖、叶轮经精密铸造，过流表面光滑提高了泵的抗汽蚀性能和效率。

密封

根据输送介质或用户要求采用填料密封或机械密封，不受转向限制。对于填料密封，有足够的空间用于更换填料。

工作条件

1、许用工作压力为2.5MPa；即泵入口压力+泵扬程≤2.5MPa。根据泵壳承受的最大压力，泵体和泵盖材质采用灰口铸铁(1.6MPa)、球墨铸铁(2.0MPa)、铸钢(2.5MPa)。在订货时敬请注明泵的承压情况或材质。

2、介质：温度≤105℃的清水或物理化学性质类似于清水的其它液体(固体颗粒≤80mg/L)。

轴承

1、采用油脂润滑的封闭式滚动轴承，维护简单，运行时间长。

2、配备恒定油位的油杯，也可用稀油润滑。

3、选用进口(SKF、NSK、NTN)高质量轴承，运行平稳，噪音低，使用寿命长。

结构

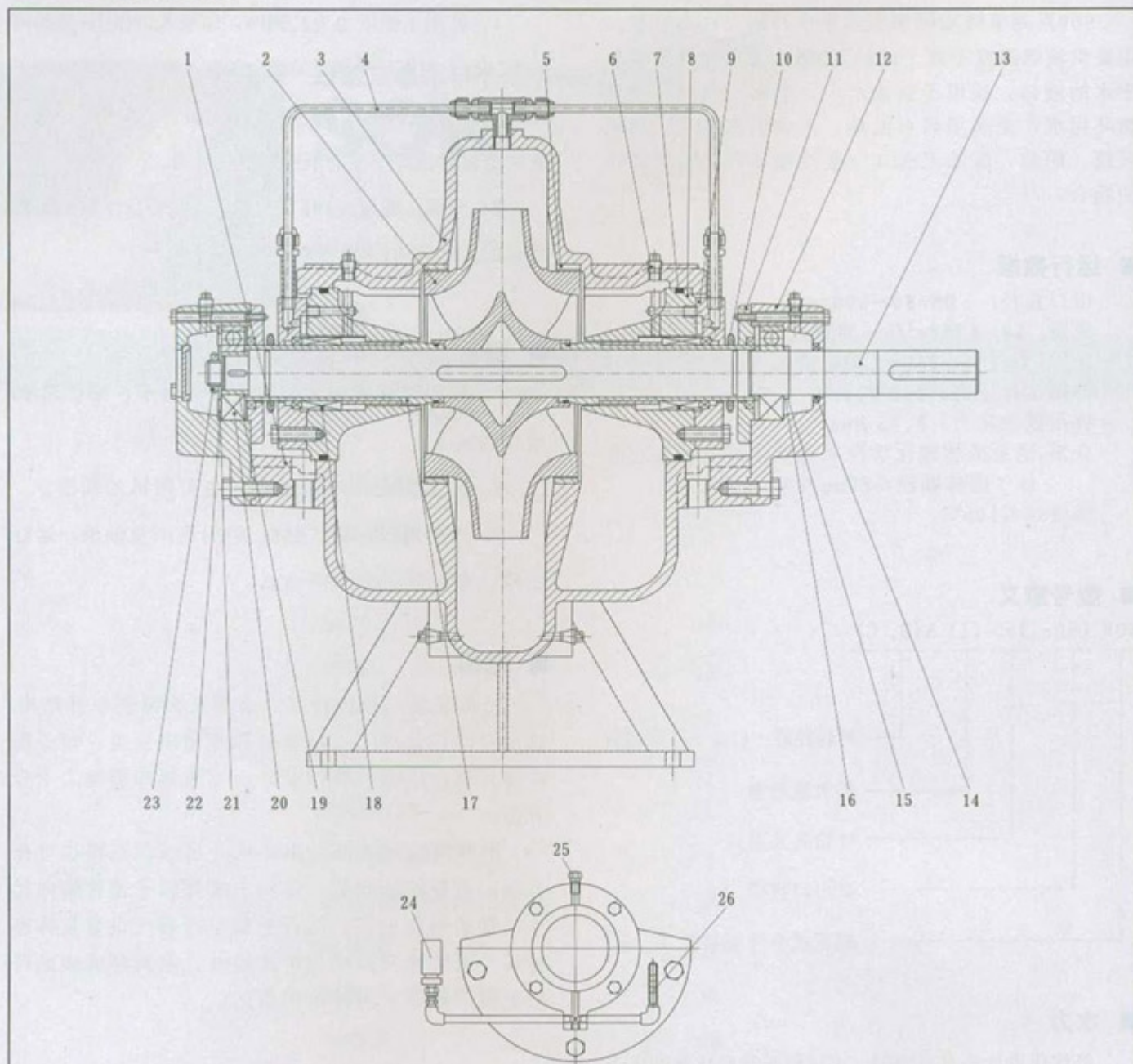
结构紧凑、稳定性好。该型泵为泵壳中开结构，进出口均在泵体上，检修时只需吊出泵盖，转子部件便可移出进行检修作业，而不需拆卸管路，十分方便。

根据需要电动机（驱动机）可以在左端也可在右端，方便现场安装。结构上缩短转子部件轴向尺寸，轴的刚性更好，运行更稳定可靠。设有泵体密封环，而叶轮密封环为可选件。密封环磨损后可以更换，减少了运行维护费用。

主要零件材质

零件名称	可供选择的材料(可另选)
轴	45、2Cr13(不锈钢)
泵体、泵盖	HT250、QT400-15(球墨铸铁)、ZG230-450
叶 轮	HT200、ZCuSn11(青铜)ZG1Cr18Ni9(不锈钢)
密封环	HT250、QT400-15、(球墨铸铁) ZCuSn11(青铜)、ZG1Cr18Ni9(不锈钢)

■ SOW型卧式泵结构图



轴承的稀油润滑示意图

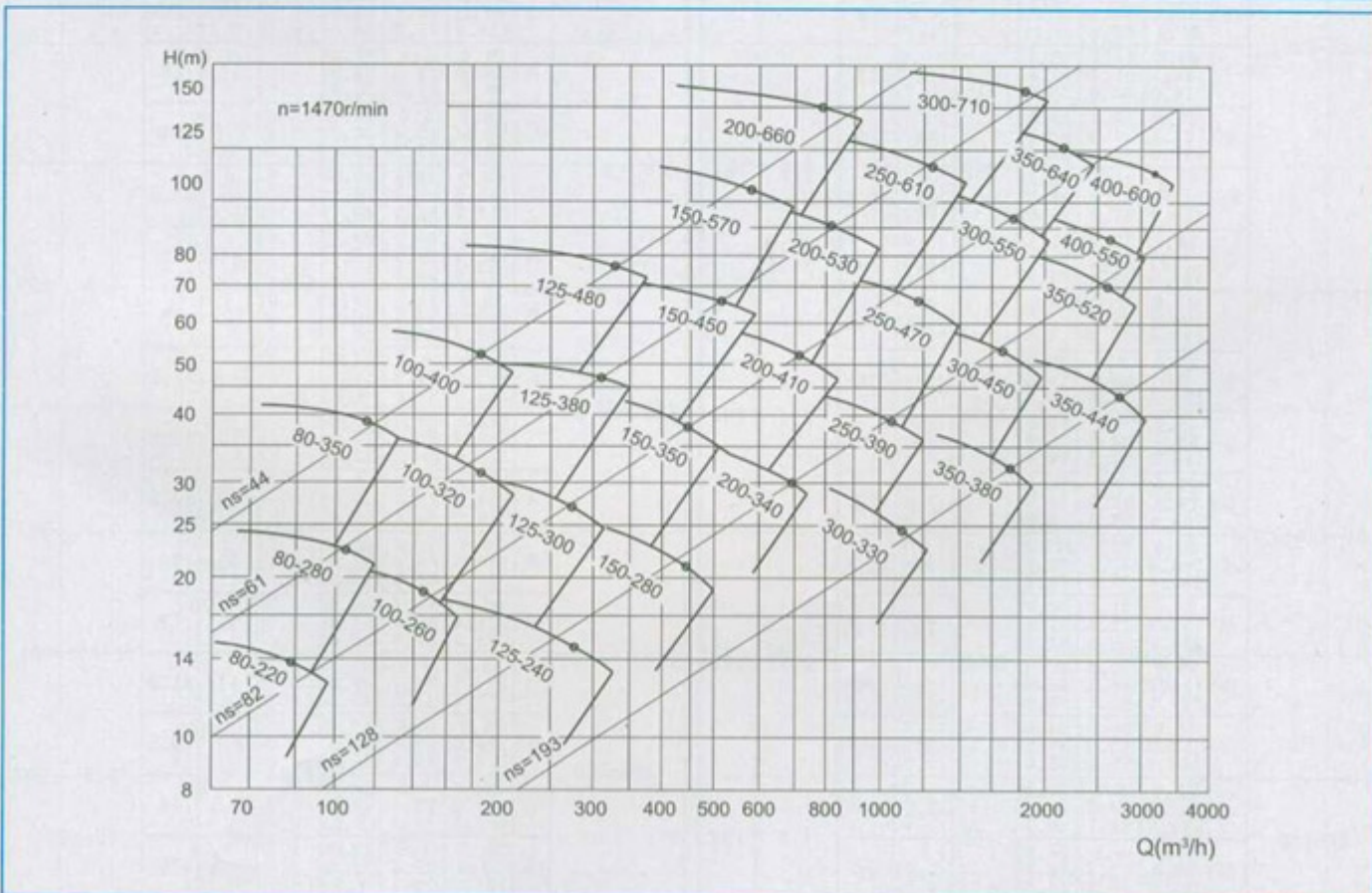
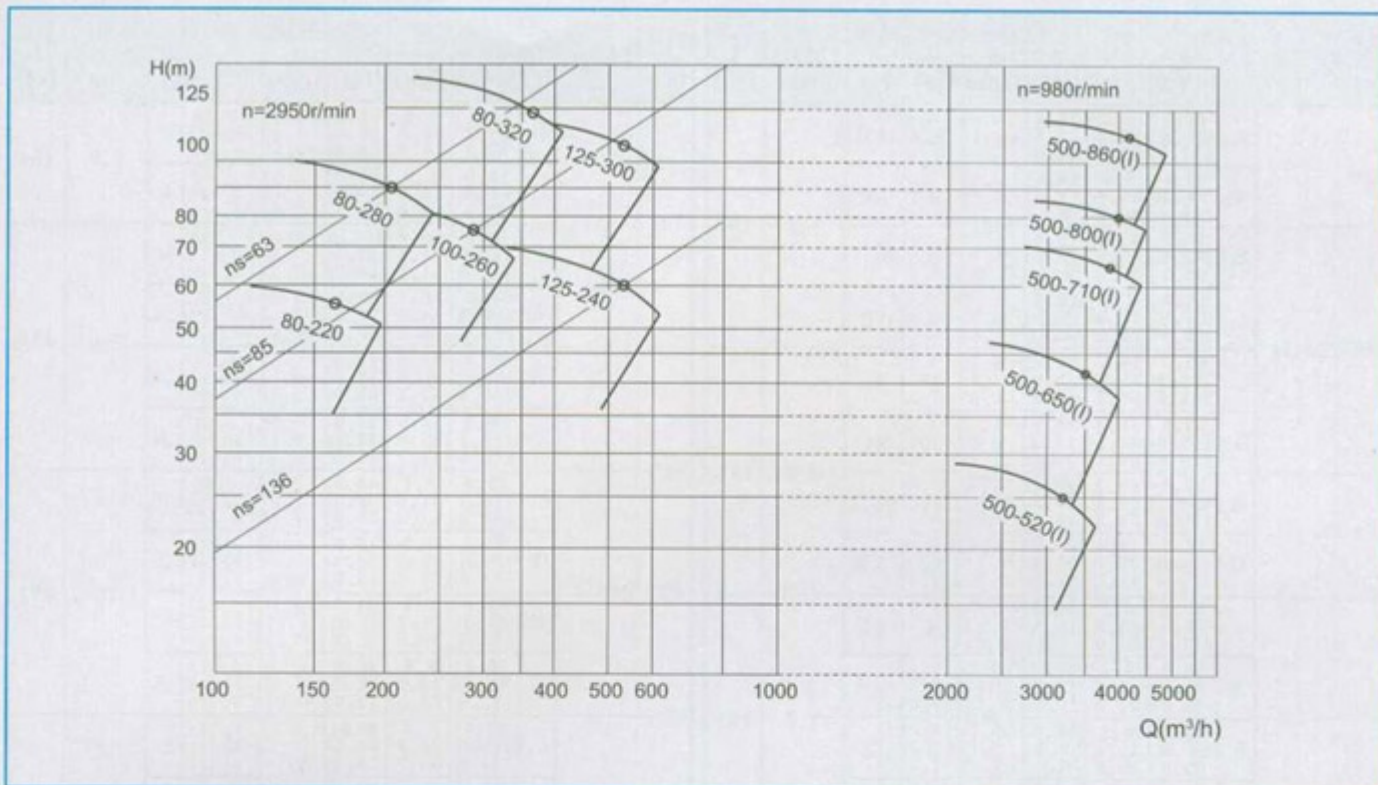
1	泵 体	2	叶 轮	3	泵 盖	4	水冲洗管部件
5	密封 环	6	管 堵	7	O形密封圈	8	密封 体
9	密封压盖或填料压盖	10	挡 水 圈	11	轴承压盖	12	轴 承 体
13	轴	14	骨架油封	15	弹性挡圈	16	轴承挡圈
17	轴套	18	机械密封或填料密封	19	轴 承 套	20	轴 承
21	轴承垫圈	22	碟形弹簧	23	锁紧螺母	24	恒位液位计
25	安全塞	26	油标器				

单级双吸水平中开蜗壳式离心泵

SOW Single-stage Double-sucked Horizontal Split Helicoid Centrifugal Pump

SOW

型谱图



■ SOW型泵性能表

泵型号	流量Q		扬程H (m)	转速n (rpm)	功率P (kW)	效率η (%)	必需汽蚀余量 (m)	泵重W (kg)	泵型号	流量Q		扬程H (m)	转速n (rpm)	功率P (kW)	效率η (%)	必需汽蚀余量 (m)	泵重W (kg)	
	(m³/h)	(L/s)								(m³/h)	(L/s)							
80-220 (I)	A	22.0	6.1	17.0	1480	5.5	82	1.6	181	B	19.5	5.4	18.7	1480	5.5	75	1.9	194
		83.5	23.2	13.8		73.2	20.3				15.0							
		121.0	33.6	10.0		92.0	25.5				12.0							
	B	20.0	5.6	14.8	1480	4	81			C	18.0	5.0	15.8	1480	4	74		
		77.2	21.4	11.8		66.8	18.6				12.5							
		108.0	30.0	8.7		82.0	22.8				10.5							
	C	17.5	4.86	12.4	1480	3	80.5			A	60.0	16.7	102.0	2950	75	77	6.8	194
		70.4	19.6	9.8		172.0	47.8				82.5							
		96.0	26.6	7.7		220.5	61.2				66.0							
	A	16.0	4.4	10.6	2950	3	78			B	58.0	16.1	88.0	2950	55	76.2		
		64.4	17.9	8.2		160.0	44.4				71.5							
		83.0	23.0	6.8		203.0	56.3				57.0							
B	60.0	16.7	64.5	2950	37	82	C	57.0	15.8	74.0	2950	45	75.2					
	164.5	45.7	55.0		146.7	40.8		60.0										
	240.0	66.7	40.0		188.5	52.3		49.0										
A	59.0	16.3	58.0	2950	30	81	A	29.0	8.1	43.5	1480	22	71.5	2.3	204			
	152.9	42.5	47.5		133.0	36.9		25.0										
	219.0	60.8	34.0		105.5	29.3		33.0										
B	55.0	15.3	49.0	2950	30	80.5	B	22.0	6.1	32.0	1480	15	70					
	138.5	38.5	39.0		96.3	26.8		27.5										
	199.0	55.3	30.0		117.0	32.5		22.0										
C	52.0	14.4	42.0	2950	22	77.8	C	20.0	5.6	26.0	1480	11	67.5					
	128.4	35.7	33.5		87.1	24.2		22.5										
	170.0	47.0	27.5		102.0	28.3		17.9										
80-220	A	17.0	4.7	16.0	1480	4	81	1.7	181	B	26.0	7.2	43.0	1480	15	73	2.5	204
		66.5	18.5	12.8		100.0	27.8				35.5							
		108.0	30.0	7.8		132.0	36.7				27.9							
	B	16.0	4.4	13.9	1480	3	80			A	22.0	6.1	37.0	1480	15	70		
		61.1	17.0	10.8		93.1	25.9				30.8							
		98.0	27.2	7.0		120.0	33.3				23.0							
	C	15.0	4.2	11.8	1480	3	78			B	20.0	5.6	31.0	1480	11	66		
		55.8	15.5	9.0		82.8	23.0				25.5							
		85.0	23.6	6.2		98.0	27.2				22.8							
	A	14.5	4.0	10.0	2950	2.2	74			C	18.0	5.0	24.0	1480	7.5	64		
		51.3	14.3	7.6		70.0	19.4				20.0							
		72.0	20.0	6.1		71.0	19.7				19.0							
B	60.0	16.6	62.0	2950	30	81	A	38.0	10.6	23.5	1480	11	82.5					
	134.5	37.4	51.0		145.0	40.3		18.8										
	218.0	60.6	32.0		212.0	58.9		13.1										
C	58.0	16.1	53.5	2950	30	80	B	37.0	10.3	20.1	1480	11	81					
	124.2	34.5	43.5		132.9	36.9		15.8										
	197.0	54.7	28.0		192.0	53.0		11.5										
A	57.0	15.8	45.0	2950	22	78.2	C	36.0	10.0	17.0	1480	7.5	79					
	113	31.4	36.0		122.9	34.1		13.5										
	170.0	47.2	25.0		173.0	48.1		10.2										
B	55.0	15.2	37.8	2950	18.5	74	A	34.0	9.4	14.5	1480	5.5	77.5					
	105	29.2	31.0		115.9	32.2		11.0										
	142.0	39.4	24.0		154.0	42.8		8.9										
80-280 (I)	A	26.0	7.2	24.5	1480	11	78.5	2.3	194	B	148.5	41.3	90.0	2950	90	85.5	7.1	207
		104.5	29.0	22.5		289.0	80.3				75.0							
		138.0	38.3	18.0		375.0	104.2				62.0							
	B	25.0	6.9	22.0	1480	11	78			C	120.8	33.6	88.5	2950	75	80.5		
		96	26.7	19.0		264.9	73.6				63.0							
		129.0	35.8	16.0		340.0	94.0				52.9							
	C	22.0	6.1	19.5	1480	7.5	76			A	70.0	19.4	67.5	1480	55	79		
		88.1	24.5	16.0		240.6	66.8				52.0							
		116.0	32.2	13.0		325.0	90.3				43.5							
	A	21.0	5.8	16.8	1480	5.5	75			B	60.0	16.7	57.2	1480	45	78		
		79.4	22.0	13.0		223.4	62.0				44.8							
		105.0	29.0	10.5		295.0	81.9				36.0							
B	80.0	22.0	107.0	2950	75	78.5	C	30.0	8.3	21.7	1480	11	81.5					
	208.0	57.8	90.0		123.5	34.3		17.0										
	280.0	77.8	77.5		170.0	47.2		12.5										
A	78.0	21.7	92.5	2950	75	77.5	A	28.0	7.8	19.0	1480	7.5	79.5					
	192.4	53.4	77.0		114.0	31.7		14.5										
	235.0	65.3	68.0		154.0	42.8		11.3										
B	75.0	20.8	77.5	2950	55	76	B	26.0	7.2	16.3	1480	7.5	78					
	174.7	48.5	63.5		105.9	29.4		12.5										
	220.0	61.1	55.0		143.0	39.7		9.2										
C	74.0	20.5	64.0	2950	37	75	C	25.0	6.9	13.3	1480	5.5	76					
	155.0	43.0	50.0		99.3	27.6		11.0										
	200.0	55.6	45.0		131.0	36.4		7.9										
80-280	A	22.0	6.1	25.9	1480	7.5	77	1.9	194	B	19.5	5.4	18.7	1480	5.5	75	1.9	194
		86.0	23.9	20.7		73.2	20.3				15.0							
		112.0	31.1	16.5		92.0	25.5				12.0							
	B	20.0	5.6	14.8	1480	4	81			C	18.0	5.0	15.8	1480	4	74		
		77.2	21.4	11.8		66.8	18.6				12.5							
		108.0	30.0	8.7		82.0	22.8				10.5							
C	17.5	4.86	12.4	1480	3	80.5	A	60.0	16.7	102.0	2950	75	77					
	70.4	19.6	9.8		172.0	47.8		82.5										
	96.0	26.6	7.7		220.5	61.2		66.0										

■ SOW型泵性能表

泵型号	流量Q		扬程H (m)	转速n (rpm)	功率P (kW)	效率η (%)	必需汽蚀余量 (m)	泵重W (kg)	泵型号	流量Q		扬程H (m)	转速n (rpm)	功率P (kW)	效率η (%)	必需汽蚀余量 (m)	泵重W (kg)
	(m³/h)	(L/s)								(m³/h)	(L/s)						
100-260	A	52.0	14.4	88.0	75	81.5	7.4	207	100-400	B	54.0	15.0	1480	22	66.5	3.1	241
		245.5	68.2								138.4	38.5					
		340.0	94.4							168.0	46.7						
	51.5	14.3	76.0	55	79.5	51.0	14.2	33.5		18.5	63						
100-320 (I)	B	227.7	63.3	2950	45	77.5	2.6	223	A	121.1	33.6	1480	15	84.5	1.8	249	
		310.0	86.1							135.0	37.5						
		50.5	14.0						65.0	37	76	100.0	27.8	20.2			15
	212.6	59.0	51.0	18.5	79.6	274.6	76.3	14.8	15	82.5							
280.0	77.8	37.0	15	79.3	370.0	102.8	9.1	11	77.5								
100-320 (I)	C	49.0	13.6	1480	11	79	11	223	B	82.0	22.8	2950	132	85.5	6.8	249	
		195.2	54.2							232.4	64.5						
		260.0	72.2						31.5	184.0	51.1	285.0	79.2	7.6			75
	42.0	11.7	33.2	18.5	79.6	78.0	21.7	13.2	75	77							
100-320 (I)	A	185.5	51.5	2950	200	80	9.5	223	C	210.5	58.5	1480	110	84	2.2	249	
		225.0	62.5							240.0	66.7						
		42.0	11.7						33.2	15	79.3	139.5	38.7	83.5			15
	172.0	47.9	27.0	11	79	533.5	148.2	60.0	75	82							
100-320 (I)	B	38.0	10.6	1480	132	79.6	2.2	223	A	650.0	180.6	2950	75	77	8.7	249	
		157.5	43.8							212.6	59.0						
		184.0	51.1						185.5	51.5							
	37.0	10.3	23.2	110	79.3	124.0	34.4	73.0	75	82							
100-320 (I)	C	142.8	39.7	2950	110	79.3	9.5	223	B	496.7	138.0	1480	11	82	1.9	274	
		165.0	45.8							550.0	152.8						
		185.0	51.4						148.0	90	79	119.0	33.1	63.5			75
	368.0	102.2	123.0	119.0	79.3	454.3	126.2	43.5	75	82							
100-320 (I)	A	450.0	125.0	1480	132	79.6	2.2	223	C	650.0	180.6	2950	75	77	8.7	249	
		140.0	38.9							130.0	411.6						114.3
		341.6	94.9						106.0	460.0	127.8	30.0					
	410.0	113.9	89.5	100.0	27.7	110.0	100.0	27.8	20.2	15	84.5						
100-320 (I)	B	314.8	87.4	2950	110	79.3	9.5	223	A	256.5	71.2	1480	15	84	2.2	249	
		370.0	102.8							320.1	88.9						10.8
		119.0	33.1						93.5	90	79	94.0	26.1	17.6			15
	245.4	68.2	74.0	119.0	79.3	242.5	67.4	13.5	11	82							
100-320 (I)	C	325.0	90.3	1480	15	77.6	2.2	223	B	300.4	83.4	2950	7.5	78	8.7	249	
		50.0	13.9							36.0	223.8						62.2
		141.5	39.3						29.5	265.0	73.6	8.4					
	174.0	48.3	25.5	82.0	22.8	12.4											
100-320 (I)	A	131.6	36.6	2950	110	77.6	9.5	223	C	199.1	55.3	1480	110	84.5	1.9	274	
		164.0	45.6							21.6	220.0						61.1
		47.0	13.1						26.0	111.0	30.8	84.0					
	120.0	33.3	21.2	472.5	131.2	60.5											
100-320 (I)	B	152.0	42.2	1480	11	77.3	2.2	223	A	662.0	183.9	2950	90	84	8.7	249	
		44.0	12.2							21.5	106.0						29.4
		112.4	31.2						17.0	442.2	122.8	53.0					
	143.0	39.7	14.1	592.0	141.7	36.5											
100-320 (I)	C	70.0	19.4	2950	132	78	9.5	223	B	102.0	28.3	1480	75	82	8.7	249	
		283.0	78.6							119.0	393.7						109.4
		350.0	97.2						101.0	510.0	141.0	33.5					
	65.0	18.1	125.0	90.0	25.0	52.5											
100-320 (I)	A	263.3	73.1	1480	110	77.6	2.2	223	C	369.5	102.6	2950	75	77	1.9	274	
		360.0	100.0							87.0	415.0						115.0
		61.3	17.0						106.0	100.0	27.8	32.5					
	237.8	66.0	84.0	270.0	75.0	27.0											
100-320 (I)	B	310.0	86.1	2950	90	77.3	9.5	223	A	375.0	104.2	1480	30	84	1.9	274	
		60.9	16.9							88.0	80.3						22.3
		215.5	60.0						69.0	243.7	67.7	22.0					
	287.0	79.7	58.0	348.0	96.7	15.5											
100-400 (I)	A	70.0	19.4	1480	45	73	2.5	241	B	75.0	20.8	2950	18.5	80	7.6	274	
		185.5	51.5							52.0	220.5						61.2
		241.5	67.0						39.0	310.0	86.1	12.5					
	65.0	18.1	53.0	60.5	16.8	19.0											
100-400 (I)	B	170.6	47.4	2950	30	72	3.1	241	C	195.8	54.4	1480	15	78	7.6	274	
		213.0	59.2							34.0	270.0						75.0
		62.0	17.2						46.0	380.0	105.6	120.0					
	158.6	44.0	38.0	535.5	148.8	108.0											
100-400 (I)	C	190.0	52.8	1480	30	71	3.1	241	A	640.0	177.8	2950	200	84	7.6	274	
		58.0	16.1							35.5	285.0						79.2
		141.6	39.3						30.3	483.4	134.3	88.0					
	178.0	49.4	22.5	630.0	175.0	77.8											
100-400 (I)	A	60.0	16.7	2950	37	72	3.1	241	B	190.0	52.8	1480	132	80	7.6	274	
		163.0	45.3							52.0	437.2						121.5
		217.0	60.3						41.1	600.0	166.7	60.0					
	58.0	16.1	50.2	90.2	25.1	80.0											
100-400 (I)	B	149.9	41.6	1480	30	69	3.1	241	C	389.0	108.1	2950	110	78	7.6	274	
		188.0	52.2							35.0	500.0						138.9
		60.0	16.7						60.9	190.0	52.8	92.0					
	163.0	45.3	52.0	437.2	121.5	72.0											
100-400 (I)	C	217.0	60.3	1480	30	69	3.1	241	A	600.0	166.7	2950	110	78	7.6	274	
		58.0	16.1							50.2	90.2						25.1
		149.9	41.6						44.0	389.0	108.1	57.0					
	188.0	52.2	35.0	500.0	138.9	43.5											

■ SOW型泵性能表

泵型号	流量Q		扬程H (m)	转速n (rpm)	功率P (kW)	效率η (%)	必需汽蚀余量 (m)	泵重W (kg)	泵型号	流量Q		扬程H (m)	转速n (rpm)	功率P (kW)	效率η (%)	必需汽蚀余量 (m)	泵重W (kg)		
	(m³/h)	(L/s)								(m³/h)	(L/s)								
125-300	A	100.0	27.8	32.0	1480	30	83	1.9	274	150-280 (I)	B	130.0	36.1	22.5	1480	22	84	2.4	347
		242.5	67.4	25.0							C	123.0	34.1	17.4					
		370.0	102.8	17.1							123.0	34.1	17.4						
	B	90.3	25.1	26.3	1480	18.5	82	1.9	274	150-280 (I)	B	140.0	38.9	27.5	1480	30	86	2.5	347
		222.3	61.8	21.0							C	397.0	110.3	20.4					
		290.0	80.6	15.0							525.0	145.8	14.2						
	C	80.0	22.2	22.1	1480	15	79	1.9	274	150-280 (I)	A	135.0	37.5	24.1	1480	30	85	2.5	347
		202.9	56.4	17.5							B	362.4	100.7	17.0					
		250.0	69.4	132.2							496.0	137.8	11.9						
125-380 (I)	A	70.1	19.5	17.3	2950	11	76	7.9	274	150-350 (I)	B	128.0	35.6	21.8	1480	22	84	2.5	359
		179.5	49.9	13.7							C	318.1	88.4	11.5					
		210.0	58.3	11.9							380.0	105.6	9.3						
	B	230.0	63.9	122.0	1480	75	80	2.1	298	150-350 (I)	A	180.0	50.0	45.8	1480	75	85	2.5	359
		479.0	133.1	100.0							B	447.5	124.3	38.0					
		580.0	161.1	82.0							592.0	164.4	31.2						
	C	182.0	50.5	106.2	1480	45	79	2.1	298	150-350 (I)	A	175.0	48.6	38.6	1480	55	83	2.5	359
		437.7	121.6	83.5							B	404.2	112.3	31.0					
		540.0	150.0	63.5							580.0	161.1	22.4						
125-380	A	128.0	35.6	89.0	1480	37	78	2.4	298	150-350 (I)	B	162.0	45.0	33.1	1480	37	81	2.5	359
		400.8	111.3	70.0							C	363.0	100.8	25.0					
		510.0	141.7	51.0							495.0	137.5	18.1						
	B	85.0	23.6	72.0	1480	30	76	2.3	331	150-350 (I)	A	150.0	41.7	27.0	1480	45	82	3.0	359
		355.2	98.7	55.0							B	324.7	90.2	20.0					
		428.0	118.9	42.0							421.0	116.9	14.9						
	C	100.2	27.8	50.2	1480	55	79	2.4	298	150-350 (I)	A	150.0	41.7	45.0	1480	55	84	3.0	359
		278.0	77.2	43.0							B	407.5	113.2	35.0					
		396.5	110.0	33.1							550.0	152.8	26.8						
125-480 (I)	A	92.1	25.8	42.9	1480	45	78	2.4	298	150-450 (I)	A	140.0	38.9	37.9	1480	45	82	3.4	436
		257.9	71.6	37.0							B	374.1	103.9	29.5					
		349.6	97.1	28.4							471.0	130.8	23.2						
	B	84.0	23.3	35.9	1480	30	77	2.4	298	150-450 (I)	B	130.0	36.1	32.1	1480	37	80	3.0	359
		234.1	65.0	30.5							C	344.4	95.7	25.0					
		300.0	83.3	24.1							460.0	127.8	17.5						
	C	798.1	22.0	28.9	1480	110	80	2.3	331	150-450 (I)	A	125.0	34.7	26.1	1480	30	78	3.4	436
		209.8	58.3	24.5							B	311.9	86.6	20.5					
		250.5	69.6	20.0							390.0	108.3	15.3						
125-480	A	109.2	30.3	86.0	1480	90	78.5	2.3	331	150-450 (I)	A	200.0	55.6	76.1	1480	132	82	3.4	436
		328.5	91.3	76.0							B	515.5	143.2	66.0					
		380.4	105.7	71.0							640.0	177.8	57.1						
	B	100.0	27.8	74.9	1480	75	77	2.3	331	150-450 (I)	A	190.0	52.8	64.0	1480	110	81	3.4	436
		307.3	85.4	66.5							B	468.4	130.1	54.5					
		350.9	97.4	55.0							600.0	166.7	45.0						
	C	80.4	22.3	64.7	1480	45	76	2.7	331	150-450 (I)	B	180.0	50.0	52.3	1480	75	80	3.7	436
		282.0	78.3	56.0							C	418.5	116.3	43.5					
		300.4	83.4	51.3							540.0	150.0	35.0						
150-280 (I)	A	60.0	16.6	54.6	1480	90	79	2.7	331	150-450 (I)	A	175.0	48.6	42.1	1480	55	78.5	3.7	436
		250.4	69.6	44.2							B	375.4	104.3	35.0					
		270.4	75.1	40.8							468.0	130.0	27.8						
	B	100.0	27.8	81.2	1480	75	78	2.7	331	150-450 (I)	B	150.0	41.7	72.1	1480	110	81	3.7	436
		294.5	81.8	69.5							C	440.0	122.2	60.0					
		370.0	102.8	61.5							582.0	161.7	48.2						
	C	90.1	25.0	70.0	1480	55	77	2.7	331	150-450 (I)	A	140.0	38.9	60.0	1480	90	80.5	3.7	436
		274.8	76.3	60.5							B	401.7	111.6	50.0					
		320.2	88.9	55.1							550.0	152.8	36.9						
150-280 (I)	A	85.3	23.7	60.9	1480	37	76	2.7	331	150-570 (I)	B	129.0	35.8	49.5	1480	75	80	4.2	646
		257.2	71.4	53.0							C	359.3	99.8	40.0					
		284.5	79.0	46.1							490.0	136.1	30.5						
	B	160.0	44.4	27.5	1480	37	87	2.4	347	150-570 (I)	A	115.0	31.9	40.0	1480	45	78	4.2	646
		443.5	123.2	21.0							B	326.3	90.6	33.0					
		609.0	169.2	14.2							430.0	119.4	24.8						
	C	150.5	41.8	25.0	1480	150	78	2.4	347	150-570 (I)	A	200.0	55.6	121.0	1480	250	80	4.2	646
		410.6	114.0	18.0							B	584.0	162.2	105.0					
		550.0	152.8	12.5							730.0	202.8	92.1						

单级双吸水平中开蜗壳式离心泵

SOW Single-stage Double-sucked Horizontal Split Helicoid Centrifugal Pump



■ SOW型泵性能表

泵型号	流量Q		扬程H (m)	转速n (rpm)	功率P (kW)	效率η (%)	必需汽蚀余量 (m)	泵重W (kg)	泵型号	流量Q		扬程H (m)	转速n (rpm)	功率P (kW)	效率η (%)	必需汽蚀余量 (m)	泵重W (kg)		
	(m³/h)	(L/s)								(m³/h)	(L/s)								
150-570	A	200.0	55.6	111.0	1480	200	79	4.2	646	200-530	B	240.0	66.7	68.3	1480	160	80	3.0	840
		537.0	149.2	90.0							633.0	175.8	55.0						
		620.0	172.2	81.9							820.0	227.8	46.1						
	B	96.3	26.7	96.0	1480	160	78	4.2	646	200-660(I)	C	230.0	63.9	54.8	1480	110	78	3.1	990
		499.9	138.9	78.0							280.0	77.8	167.0						
		580.0	161.1	70.0							793.0	220.3	150.0						
C	82.8	23.0	83.0	1480	132	77	4.2	646	200-660(I)	A	270.0	75.0	144.0	1480	355	78.5	3.1	990	
	468.5	130.1	68.5							729.7	202.7	127.0							
	540.0	150.0	61.0							900.0	250.0	115.0							
200-340(I)	A	250.0	69.4	40.0	1480	75	87.5	3.3	450	200-660	B	260.0	72.2	124.0	1480	315	77	2.9	990
		695.5	193.2	30.0							669.8	186.0	107.0						
		940.0	261.1	20.0							864.0	240.0	93.0						
	B	240.0	66.7	35.0	1480	55	85	3.3	450	200-660	C	250.0	69.4	10.0	1480	400	79	2.9	990
		641.2	178.1	25.5							637.4	177.0	88.0						
		845.0	234.7	17.5							770.0	213.9	80.0						
C	230.0	63.9	30.8	1480	37	79	3.3	450	200-660	A	250.0	69.4	156.0	1480	315	78.5	2.9	990	
	586.0	162.8	21.3							670.2	186.2	114.5							
	750.0	208.3	16.0							790.0	219.4	103.0							
200-340	A	250.0	69.4	37.5	1480	75	86.5	2.5	450	250-390(I)	B	230.0	63.9	114.0	1480	250	78	2.8	665
		638.0	177.2	28.0							621.6	172.7	98.5						
		870.0	241.7	18.5							720.0	200.0	90.0						
	B	240.0	66.7	33.0	1480	55	86	2.5	450	250-390(I)	C	215.0	59.7	98.0	1480	200	77	2.8	665
		596.8	165.8	24.5							570.6	158.5	83.0						
		795.0	220.8	16.8							690.0	191.7	72.0						
C	235.0	65.2	28.5	1480	45	84	2.5	450	250-390(I)	A	400.0	111.1	50.0	1480	160	88	4.0	665	
	552.5	153.5	21.0							1052.0	292.2	39.0							
	705.0	195.8	15.1							1450.0	402.8	28.0							
200-410(I)	A	225.0	62.5	23.1	1480	132	86.5	2.4	517	250-390	B	380.0	105.6	44.9	1480	132	86	4.0	665
		497.1	138.1	17.0							967.7	268.8	33.0						
		600.0	166.7	14.0							1310.0	363.9	24.0						
	B	265.0	73.6	62.8	1480	110	84.5	2.4	517	250-390	C	379.0	105.3	38.0	1480	110	83	4.0	665
		710.0	197.2	52.0							915.3	254.3	27.0						
		990.0	275.0	40.0							1160.0	322.2	20.2						
C	249.0	69.1	64.0	1480	90	83	2.4	517	250-470(I)	A	350.0	97.2	31.8	1480	220	85	3.3	830	
	641.9	178.3	42.5							843.3	234.3	20.0							
	895.0	248.6	30.9							990.0	275.0	16.1							
200-410	A	238.0	66.1	46.0	1480	110	85.5	3.0	517	250-470(I)	B	400.0	111.1	50.0	1480	200	83	3.3	830
		586.6	163.0	35.5							1030.5	286.3	37.0						
		780.0	216.7	25.0							1400.0	388.9	25.6						
	B	220.0	61.1	38.5	1480	75	81	3.0	517	250-470(I)	C	390.0	108.3	44.0	1480	160	80	3.5	840
		525.6	146.0	28.5							958.3	266.2	32.0						
		660.0	166.7	21.0							1290.0	358.3	22.2						
C	250.0	69.4	62.1	1480	280	87	3.0	517	250-470(I)	A	375.0	104.2	38.0	1480	220	84	3.5	830	
	649.0	180.3	48.0							880.3	244.5	27.0							
	865.0	240.2	37.1							1170.0	325.0	21.8							
200-530(I)	A	236.0	65.6	52.2	1480	90	84	3.0	517	250-470(I)	B	350.0	97.2	32.0	1480	160	80.5	3.5	830
		596.1	165.6	40.5							819.6	227.7	22.0						
		750.0	208.3	32.5							1030.0	286.1	16.0						
	B	215.0	59.7	44.2	1480	55	78	3.0	517	250-470(I)	C	420.0	116.7	82.8	1480	200	83	3.5	830
		550.2	152.8	37.5							1174.5	326.3	66.0						
		720.0	200.0	25.0							1608.0	447	50.0						
C	475.0	131.9	102.0	1480	280	83	3.5	840	250-470(I)	A	400.0	111.1	69.0	1480	160	80	3.5	830	
	818.0	227.2	91.0							1072.2	297.8	55.0							
	1080.0	300.0	77.5							1450.0	402.8	41.6							
200-530	A	460.0	127.8	86.0	1480	250	82	3.5	840	250-470	B	370.0	102.8	58.0	1480	220	84	3.5	830
		750.0	208.3	76.5							975.2	270.9	45.5						
		965.0	268.1	66.2							1250.0	347.2	36.0						
	B	440.0	122.2	71.0	1480	200	80	3.5	840	250-470	C	330.0	91.7	49.6	1480	160	80	3.5	830
		687.9	191.1	62.5							903.3	250.9	37.5						
		905.0	251.4	52.1							1090.0	302.8	31.2						
C	420.0	116.7	55.0	1480	132	78.5	3.5	840	250-470	A	400.0	111.1	75.0	1480	200	82.5	3.5	830	
	630.0	175.0	47.5							1081.0	300.3	54.5							
	795.0	220.8	41.8							1450.0	402.8	38.0							
A	260.0	72.2	98.0	1480	250	82	3.0	840	250-470	B	370.0	102.8	64.0	1480	160	80.5	3.5	830	
	735.0	204.2	81.7							1003.9	278.9	47.0							
	955.0	265.3	66.9							1300.0	361.1	33.5							
B	250.0	69.4	82.8	1480	180	81	3.0	840	250-470	C	350.0	97.2	55.0	1480	110	78.5	3.5	830	
	670.0	186.3	68.0							911.0	253.0	40.5							
	880.0	244.4	57.5							1170.0	325.0	30.0							
C	340.0	94.4	46.0	1480	110	78.5	3.0	840	250-470	A	830.0	230.6	34.5	1480	110	78.5	3.5	830	
	1020.0	283.3	26.3																

■ SOW型泵性能表

泵型号	流量Q		扬程H (m)	转速n (rpm)	功率P (kW)	效率η (%)	必需汽蚀余量 (m)	泵重W (kg)	泵型号	流量Q		扬程H (m)	转速n (rpm)	功率P (kW)	效率η (%)	必需汽蚀余量 (m)	泵重W (kg)						
	(m³/h)	(L/s)								(m³/h)	(L/s)												
250-610 (I)	A	800.0	222.2	131.0	1480	560	84	3.8	1215	300-550 (I)	B	650.0	180.6	77.5	1480	355	85	4.2	1425				
		1243.0	345.3	116.0								1573.2	437.0	62.0									
		1640.0	455.6	98.0								2130.0	591.7	47.0									
	B	750.0	208.3	115.0	450	83.5	315	83	300-550		A	620.0	172.2	65.0		355	83.5			3.9	1425		
		1154.1	320.6	100.0								1515.6	421.0	50.0									
		1600.0	444.4	79.0								1980.0	550.0	37.5									
	C	700.0	194.4	95.0	250	82.5	200	80.5	300-710 (I)	B	600.0	166.7	102.0	1480	280	83	3.5	1690					
		1051.4	291.0	83.0							1550.0	430.5	80.0										
		1480.0	411.1	63.0							2130.0	591.7	60.0										
	250-610	A	400.0	111.1	126.0	1480	400	83	3.1	1215	300-710	A	590.0	163.9	86.4	1480	280	83	4	1690			
			1045.0	290.3	104.0								1447.2	402.0	67.0								
			1415.0	393.1	81.5								1980.0	550.0	50.5								
B		390.0	108.3	110.0	250	81.5	180.0	50.5	300-710 (I)	C		580.0	161.1	73.0	1480		250	82			3.5	1690	
		972.1	270.0	90.0								1360.8	378.0	57.0									
		1360.0	377.8	70.0								1820.0	505.6	44.0									
C		380.0	105.6	91.0	200	80.5	120.0	15.5	300-710	A	570.0	158.3	61.0	1480	220	81	8.5	1285					
		884.5	245.7	74.5							1281.6	356.0	47.5										
		1240.0	344.4	58.0							1600.0	461.1	37.2										
300-330 (I)		A	500.0	138.9	36.0	1480	110	86	4.6	630	300-710 (I)	B	900.0	250.0	183.0	1480	900	84.6	3.5	1690			
			1099.0	305.3	24.5								1836.0	510.0	160.0								
			1475.0	409.7	17.0								2100.0	583.3	150.6								
	B	480.0	133.3	31.8	75	82	45	80	300-710	A		960.0	266.7	160.0	1480		900	84.6			3.5	1690	
		1020.0	283.3	19.8								1735.2	482.0	136.0									
		1425.0	395.8	12.1								2030.0	563.9	126.0									
	C	460.0	127.8	26.5	55	81	37	77	300-710	B	800.0	222.2	135.0	1480	630	84.3	3.5	1690					
		970.0	269.4	15.5							1623.6	451.0	112.0										
		1290.0	358.3	9.0							1880.0	522.2	104.0										
	300-330	A	440.0	122.2	22.3	1480	90	85	3.6	630	350-380 (I)	A	700.0	194.4	110.5	1480	710	83	4	1690			
			920.0	255.6	11.5								1573.2	437.0	119.0								
			1170.0	325.0	7.5								2000.0	555.6	100.0								
B		400.0	111.1	32.1	75	84	55	81	350-380	B		540.0	150.0	124.0	1480		560	82.5			4	1690	
		940.0	261.1	23.0								1450.8	403.0	99.0									
		1260.0	350.0	15.0								1800.0	505.6	82.4									
C		390.0	108.3	27.9	37	77	190.0	17.0	350-380 (I)	C	510.0	141.7	103.0	1480	400	82	4	1690					
		876.6	243.5	20.0							1342.8	373.0	81.0										
		1200.0	333.3	12.0							1650.0	458.3	70.0										
300-450 (I)		A	370.0	102.8	24.1	1480	55	81	3.6	630	350-380 (I)	A	600.0	166.7	45.5	1480	200	86.5	6.2	865			
			801.0	222.5	16.7								1733.0	481.4	32.0								
			1080.0	300.0	11.0								2280.0	633.3	20.5								
	B	350.0	97.2	20.5	280	86.5	160	79	300-450	B		580.0	161.1	40.0	1480		160	85			6.2	865	
		705.0	195.8	13.7								1692.0	470.0	26.5									
		950.0	263.9	9.0								2160.0	600.0	17.0									
	C	700.0	194.4	67.5	200	84	160	79	300-450	C	560.0	155.5	34.0	1480		132	83	6.2	865				
		1678.5	466.3	53.0							1641.6	456.0	21.0										
		2380.0	661.1	37.0							2080.0	577.8	12.8										
	300-450	A	660.0	183.3	59.2	1480	280	86.5	5.2	905	350-380	A	540.0		150.0	27.9	1480			110	80.5	6.2	865
			1576.8	438.0	45.0								1602.0		445.0	15.0							
			2100.0	583.3	32.0								1900.0		527.8	9.0							
B		620.0	172.2	50.0	200	84	160	79	300-450	B		500.0	138.9	42.5	1480	160		85.5	5	865			
		1476.0	410.0	36.5								1424.0	395.6	31.0									
		1800.0	500.0	27.5								1940.0	538.9	21.8									
C		600.0	166.7	41.0	160	79	160	79	300-450	C	460.0	127.8	37.9	1480		132	84	5			865		
		1360.8	378.0	27.5							1335.6	371.0	26.3										
		1450.0	402.8	24.5							1800.0	500.0	17.0										
300-550 (I)		A	600.0	166.7	68.0	1480	315	87.5	5.3	905	350-440 (I)	A	430.0		119.4	32.5	1480		450	87.5		8.5	1285
			1620.0	450.0	51.5								1270.8		353.0	22.5							
			2240.0	622.2	32.5								1610.0		447.2	15.5							
	B	580.0	161.1	60.0	250	86.5	200	84	300-550	B		410.0	113.9	27.5	1480	280		84	8.5	1285			
		1519.2	422.0	45.0								1188.0	330.0	17.8									
		2040.0	566.7	29.4								1400.0	388.9	17.1									
	C	560.0	155.6	51.0	160	81.5	160	81.5	300-550	C	1000.0	277.8	59.0	1480		220	81	8.5			1285		
		1422.0	395.0	37.5							2745.0	762.5	43.5										
		1860.0	516.7	26.2							3500.0	972.2	31.0										
	300-550 (I)	A	540.0	150.0	41.9	1480	630	86	4.2	1425	350-440 (I)	A	950.0		263.9	50.5	1480		355	85.5		8.5	1285
			1332.0	370.0	30.5								2635.2		732.0	35.0							
			1620.0	450.0	23.5								3450.0		958.3	22.0							
B		700.0	194.4	115.0	450	85.5	450	85.5	300-550	B		900.0	250.0	43.0	1480	280		84	8.5	1285			
		1750.0	486.1	94.0								2563.2	712.0	27.5									
		2350.0	652.8	76.0								3250.0	902.8	18.5									
C		680.0	188.9	92.0	250	85.5	200	81	300-550	C	890.0	147.2	36.0	1480		220	81	8.5			1285		
		1645.2	457.0	76.0							2484.0	673.0	21.5										
		2170.0	602.8	61.5							3200.0	888.9	13.0										

■ SOW型泵性能表

泵型号	流量Q		扬程H (m)	转速n (rpm)	功率P (kW)	效率η (%)	必需汽蚀余量 (m)	泵重W (kg)	泵型号	流量Q		扬程H (m)	转速n (rpm)	功率P (kW)	效率η (%)	必需汽蚀余量 (m)	泵重W (kg)
	(m³/h)	(L/s)								(m³/h)	(L/s)						
350-440	A	750.0	208.3	59.0	355	86.5	6.5	1285	400-600	A	1571	436.4	101.2	800	86	6.9	2100
		2235.0	620.8								2502	695					
		3000.0	833.3								3250	902.8					
	B	700.0	194.4	51.5	280	84.5	6.5	1285		B	1508	419	93.2	710	84	6.9	2100
		2088.0	580.0								2422	672.7					
		2750.0	763.9								3100	861					
	C	680.0	188.9	45.0	250	82	6.5	1285		C	1500	416.7	86	630	82	6.9	2100
		1987.2	552.0								2354	654					
		2400.0	666.7								3000	833.3					
350-520 (I)	A	1350.0	375.0	94.0	630	88.5	6.7	1395	400-600 (I)	A	1919	533	129.7	1250	86	7.5	2100
		2610.0	725.0								3176.5	882.4					
		3700.0	1027.8								4100	1139					
	B	750.0	208.3	73.0	400	86	6.7	1395		B	1780	494.4	119	1120	84	7.5	2100
		2232.0	620.0								3007	835.3					
		2850.0	791.7								3910	1086					
	C	505	140.3	61	315	79	6.7	1395		C	1740	483.3	109.2	900	80	7.5	2100
		2070	575								2922.4	811.8					
		2350	652.8								3800	1055.6					
350-520	A	850	236.1	92	630	88	7	1395	500-520 (I)	A	1900	527.8	33.2	280	87	4.8	1528
		2450	680.6								3217.5	893.8					
		3350	930.6								4100	1139					
	B	800	222.2	81.5	500	87	7	1395		B	1830	508.3	30.5	250	86	4.8	1528
		2268	630								3088	857.8					
		3200	888.9								3800	1055.6					
	C	750	208.3	81.4	400	85	7	1395		C	1600	444.4	99.8	900	80	4.8	1528
		2088	580								2732	758.8					
		2850	791.7								3550	986					
350-640	A	1470	408.03	138.5	1000	85	6.9	1500	500-520	A	1480	411	31.3	220	86	4.3	1528
		2160	600								2777	771.4					
		2800	777.8								3600	1000					
	B	1290	358.3	128	900	84	6.9	1500		B	1400	388.9	27.8	200	84	4.3	1528
		2000	556								2638	732.8					
		2600	722								3420	950					
	C	1185	329.2	117.8	800	82	6.9	1500		C	1250	347.2	22	160	81	4.3	1528
		1920	533.3								2484	690					
		2500	694.4								3000	833.3					
400-550 (I)	A	1535	426.3	98	800	85	7	1600	500-650 (I)	A	1160	322.2	18.5	132	78	5.7	2301
		2635	731.9								2178.5	605.1					
		3420	950								2790	775					
	B	1470	408.3	91	710	83	7	1600		B	1850	513.9	52.5	500	88.5	5.7	2301
		2520	700								3510	975					
		3270	908.3								4500	1250					
	C	1420	394	82.6	630	81	7	1600		C	1800	500	49.8	450	86	5.7	2301
		2418	671.6								3352.5	931					
		3140	872								4230	1175					
400-550	A	1320	366.7	77	500	86	5.9	1600	500-650	A	1740	483.3	46.4	400	84	4.8	2301
		2190	608.3								3172.5	881					
		2850	791.7								4000	1111.7					
	B	1280	355.6	69.8	450	84	5.9	1600		B	1660	461.1	42.2	355	82	4.8	2301
		2045.5	568.2								3015	837.5					
		2660	738.9								3830	1064					
	C	1230	341.7	61.2	400	82	5.9	1600		C	1560	433.3	37.6	315	80	4.8	2301
		1882	522.7								2767.5	768.8					
		2450	680.6								3600	1000					
C	1211	336.4	53.2	315	80	5.9	1600	D	1820	505.6	41.8	355	87	4.8	2301		
	1767.6	491							2992	831.3							
	2300	638.9							3890	1080							
C	1211	336.4	53.2	315	80	5.9	1600	B	1635	454	34	280	82	4.8	2301		
	1767.6	491							2722.5	756.3							
	2300	638.9							3490	969.4							

■ SOW型泵性能表

泵型号	流量Q		扬程H (m)	转速n (rpm)	功率P (kW)	效率η (%)	必需汽蚀余量 (m)	泵重W (kg)	泵型号	流量Q		扬程H (m)	转速n (rpm)	功率P (kW)	效率η (%)	必需汽蚀余量 (m)	泵重W (kg)	
	(m ³ /h)	(L/s)								(m ³ /h)	(L/s)							
500-650	C	1535	426.4	29	980	250	78	4.8	2301		2385	662.5	70.7	800	88			
		2642.5	706								3474	965						
		3280	911								4600	1277.8						
500-710 (I)	A	2300	638.9	73.1	980	900	88.5				2265	629	63.1	710	86	5.2	3483	
		3852	1070								3330	925						
		5040	1400								4370	1213.9						
												44						
	B	2200	611.1	67.2	980	800	87					2150	597.2	56.2	560	84		
		3672	1020									3150	875					
		4840	1344.4									4150	1152.8					
													39.2					
	C	2100	583.3	60.3	980	710	85	5.8	2967			2050	569.7	48	500	80		
		3470.4	964									2970	825					
		4320	1200									3940	1094					
													35.8					
500-710	A	2000	555.6	56.4	980	560	87				2520	700	124	1600	89	6.9	4659	
		3204	890								4183.2	1162						
		3960	1100								5440	1511						
												96.2						
	B	1920	533.3	50	980	450	85					2380	661.1	112.4	1400	87		
		3024	840									3996	1110					
		3550	986.1									5140	1428					
													86					
	C	1800	500	60	980	400	83					2250	625	102.4	1250	83		
		3006	835									3780	1050					
		3900	1083									4870	1352.8					
													77.5					
500-800 (I)	A	1710	475	53.6	980	355	79				2115	587.5	90.4	1120	80			
		2812.5	781.3								3528	980						
		3700	1027.8								4320	1300						
												70.6						
	B	1615	448.6	47.7	980	355	79					2400	666.7	99.6	1120	88.5		
		2632.5	731.3									3600	1000					
		3375	937.5									4680	1300					
													73					
	C	1518	421.7	41.5	980	1120	89					2300	638.9	93.4	1000	86		
		2407.5	668.7									3492	970					
		3175	882									4500	1250					
													68					
500-800 (I)	A	2590	719.4	88.7	980	900	87				2200	611.1	87.2	900	84	5.5	4659	
		3996	1110								3384	940.3						
		5190	1441.7								4300	1194.4						
												63.8						
	B	2460	683.3	78.4	980	800	85					2090	580.6	81	800	82		
		3600	1000									3204	890					
		4680	1300									4085	1134.7					
													59					
	C	2340	650	69.8	980	630	83					1985	551.4	75	800	80		
		3204	890									3081.6	856					
		4100	1138.9									3850	1069					
													55.6					

小 知 识

泵的出口是否增加锥管加大出口管路？

我们知道，电力输送与泵的水力输送有极大的相似性。在电力输送上，线路越长、电线越细（截径越小），那么线损就越大，电压降就越大。而在水力输送上，管路越长、管径越小，则管路损失越大、压力降低越多。那么为了减小管路损失是否就一味地增大管路呢？这就如是否加粗输电线一样是一个经济问题。增大管路，是可以降低线损，从而节约电能，甚而可以降低水泵的扬程和所配的电机，节约设备投资，然而另一方面也增加线路投资（包括管路和各类阀门等及维修费）。所以应当从管路长度和水泵运行时间上进行综合性的经济决策。一般而言，长距离输送就不必增大（或少增大）出口管路，而应采取加压或接力输送。

水泵的开机与关机操作顺序

首次开机时，有联轴器的泵可以拆下联接部分，点动电动机试验转向。或者不拆联轴器，在泵内有水时试验电动机转向。电动机与泵直联的，也必需保证泵内有水时才能试验转向。严禁在泵内无水时直接开机（泵）试验电动机转向。

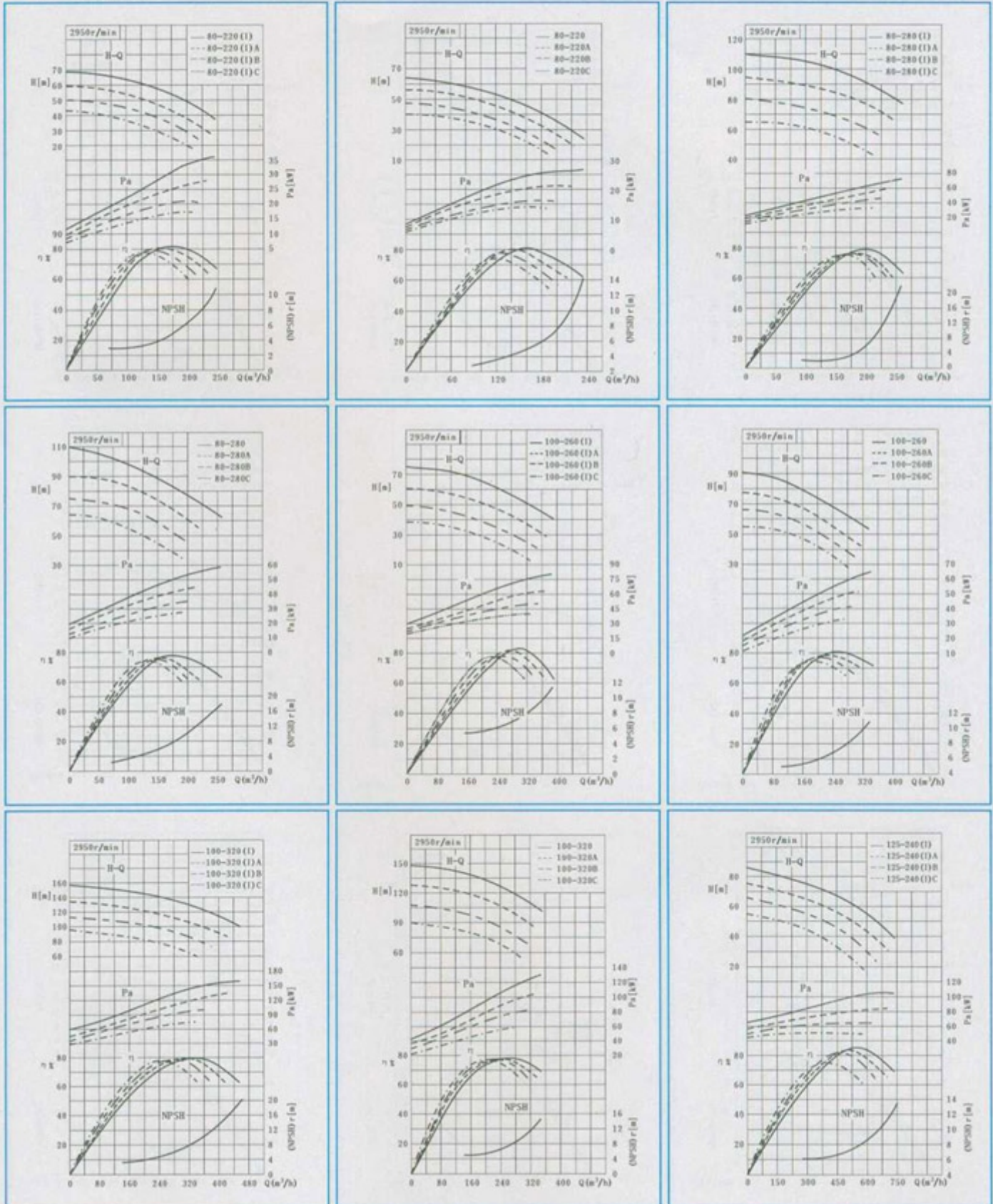
开机前必须保持泵内充满引水。开机时完全打开进口阀，关闭出口阀，启动电动机，待电动机以正常转速运行后缓慢打开出口阀至所需的流量或压力。注意：不能让泵在出口阀未打开和泵所规定的小流量内长时间运行。泵运行时禁止用进口阀调节流量，必须保持进口阀最大的开度。

关机时先关闭出口阀，然后关闭电动机，安装了进口阀的在电动机停转后关闭以保证泵内存有引水（有单向阀可不关闭）。在北方防冻期（或环境温度低于液体的结冰温度）必须放尽泵内存水以防冻裂水泵。长期停用，需放尽泵内的水，必要时拆解水泵，清洗零部件作防锈处理，妥善保管。

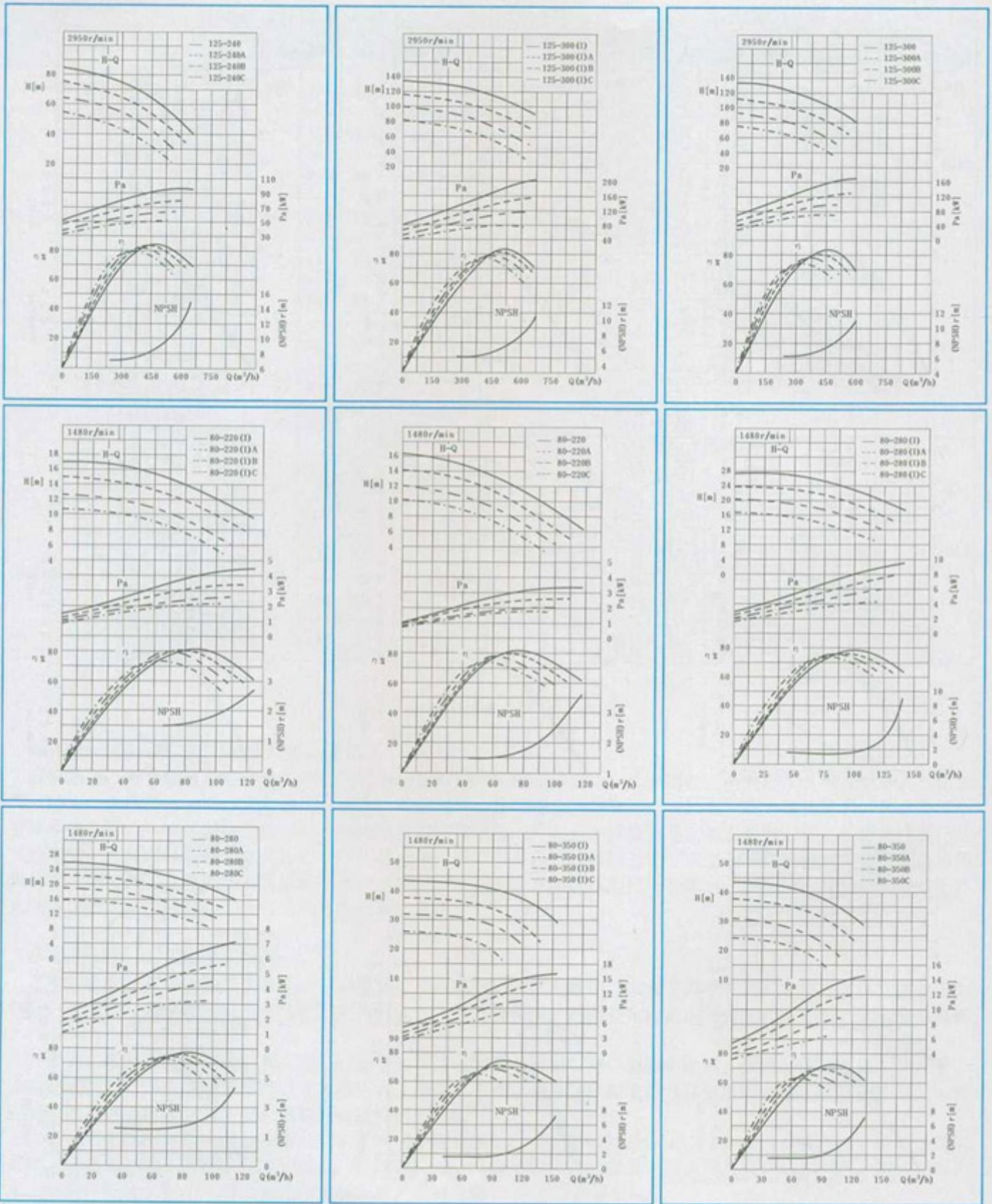
单级双吸水平中开蜗壳式离心泵 SOW

SOW Single-stage Double-sucked Horizontal Split Helicoid Centrifugal Pump

性能曲线图



性能曲线图

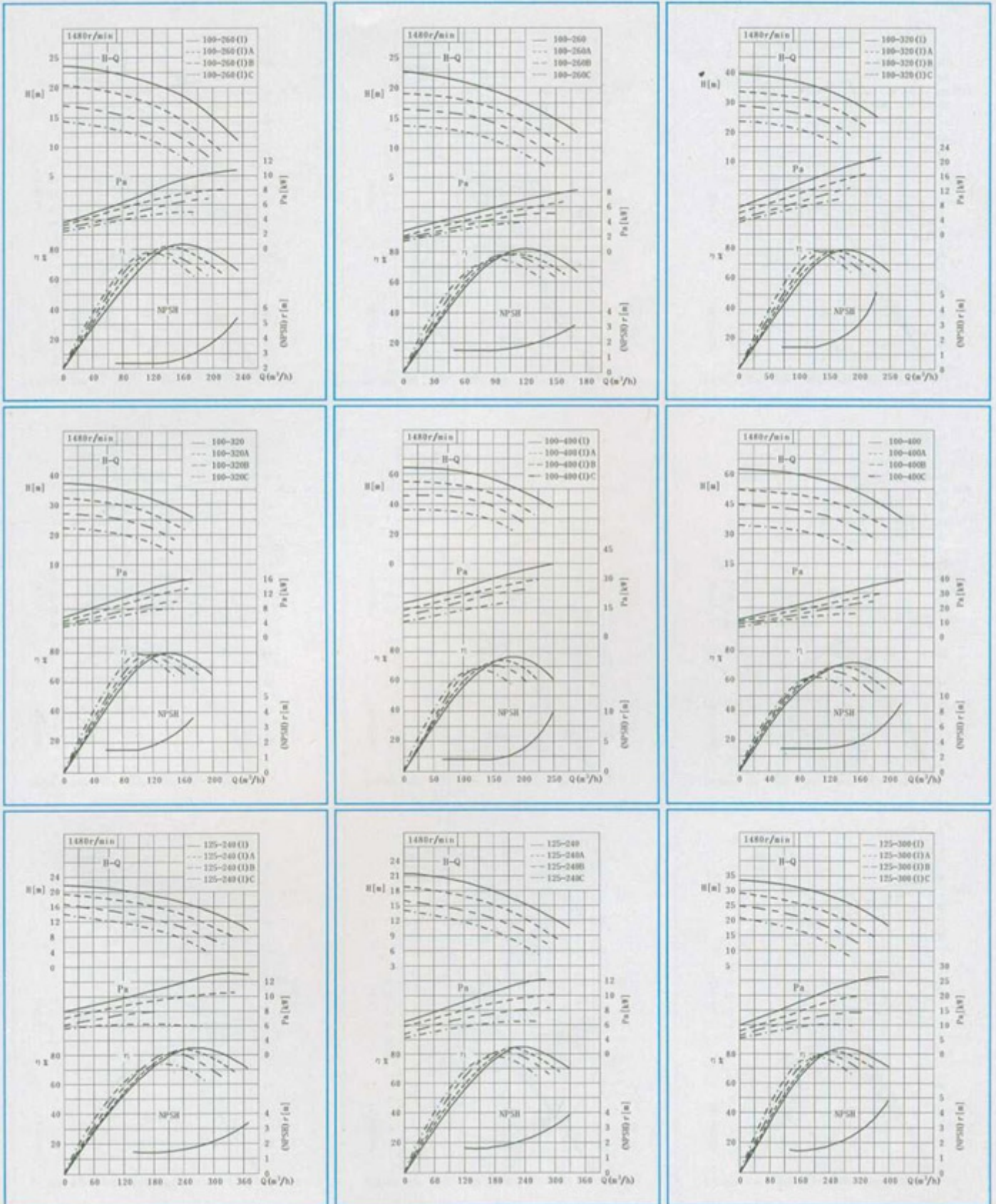


单级双吸水平中开蜗壳式离心泵

SOW Single-stage Double-sucked Horizontal Split Helicoid Centrifugal Pump

SOW

性能曲线图



性能曲线图

